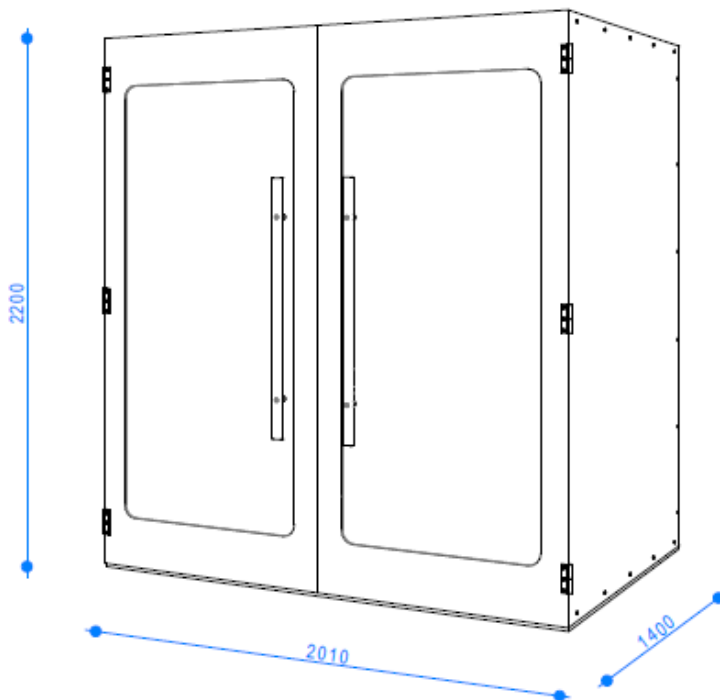


# Spec sheet - meeting room for 4 people

**HIDE**  
PHONE BOOTHS



External dimensions	220 x 201 x 140 (cm) (height x width x depth)
Weight	485 kg
Two-way soundproofing system	YES
Sound insulation	30 dB
Quiet closing	blocker that slows down the sudden closing of the door
<b>INTERNAL ELEMENTS</b>	
Ventilation	4 x efficient fans, each with an air capacity of 68 m <sup>3</sup> / h, switched on automatically on motion detector; simple filter change
Table and seats	Table with dimensions of 129 x 60 cm; made of high quality birch plywood covered with antibacterial varnish; mounted at a height of 74 or 110 cm; seats with dimensions: 140 x 44 x 45 cm, upholstered with 5 cm thick foam.
Lighting	LED lighting is switched on automatically on motion detector
Glass doors with a magnetic locking system	doors made of 8mm tempered glass; handle made of birch plywood, coated with anti-bacterial varnish
Sockets	1 x power socket 230 V + 2 x USB sockets
Furniture sliders	4 x furniture sliders placed under the booth

100% OF CONCENTRION, 0% OF NOISE  
Comfortable, modular meeting room for 4 people. It doesn't take up much space and fits into any office interior. Provides perfect conditions for meetings, phone calls or teleconferences and performing tasks that require concentration.

#### PERFECT MUTE

Multilayer walls filled with an acoustic sponge and covered with felt provide excellent noise insulation at 30 dB.

#### MODULAR CONSTRUCTION

Patented modular construction provides easy and quick assmebly of the meeting room, while furniture sliders allow it to be easily moved to another part of the office.

#### COLOR OPTIONS

Meeting room is available in two color options:

- light: white enamel at the door + medium gray felt on the external and internal walls + medium grey fabric on the seats + table and handle are made of birch plywood.
- dark: black enamel at the door + dark gray felt on the external and internal walls + dark gray fabric on the seats + table and handle are made of birch plywood.